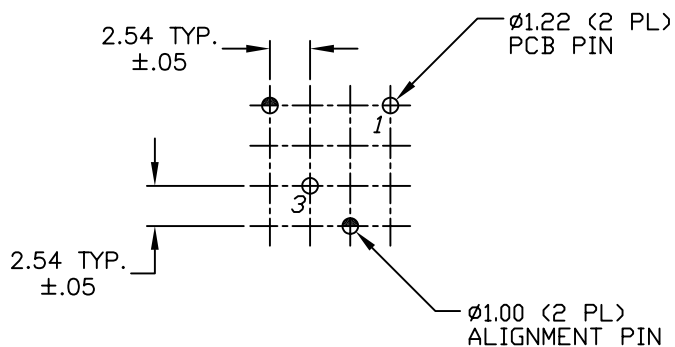
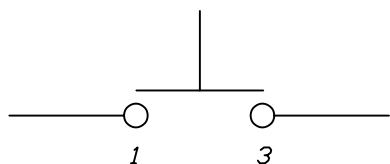
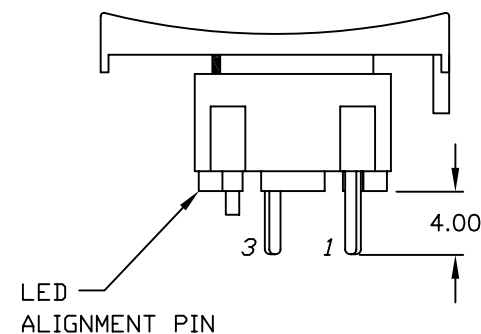
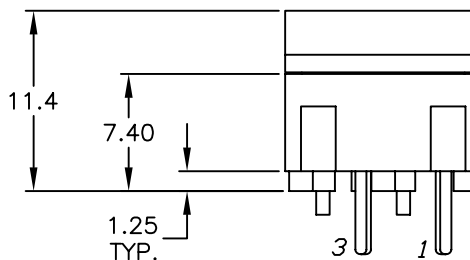
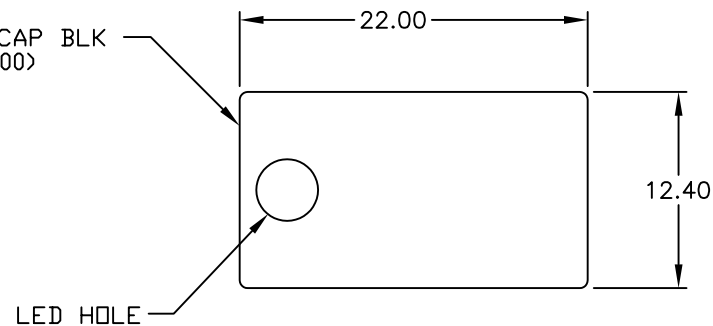


TOP VIEW -SHOW ORIENTATION OF LEGENDS
IN RESPECT TO THE PCB PIN TERMINALS.



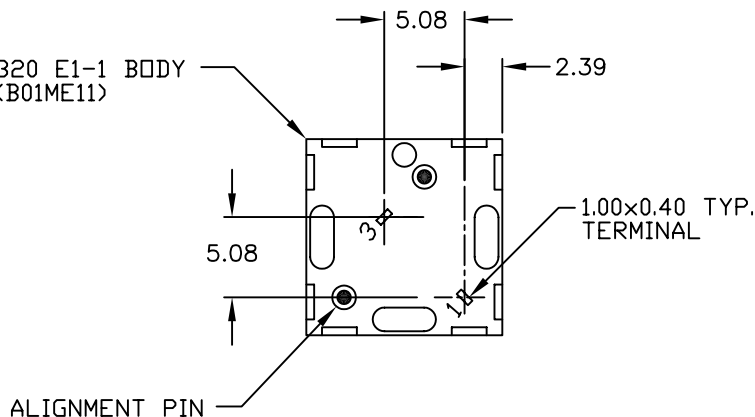
RECOMMENDED P.C.B. LAYOUT

320.2 CAP BLK
(B042000)



CIRCUIT: SPST
CONTACT CONFIGURATION

320 E1-1 BODY
(B01ME11)



NOTES:

1. ALL DIMENSIONS IN MM
2. GENERAL TOLERANCE: X.X=±0.4
X.XX=±0.25
3. TERMINAL NO'S FOR REFERENCE ONLY.
4. RATING: 25mA, @50VDC
5. OPERATING FORCE: 120gF
6. TRAVEL TO MAKE: 0.7mm

E-SWITCH®

TITLE					320.2 E1-1 BLK						
SCALE	2:1		DATE	1/05/01		DR	CJB	DWG	XB0775P	REV	A

THE INFORMATION CONTAINED IN THIS DOCUMENT
IS PROPRIETARY TO E-SWITCH AND IS
NOT TO BE COPIED OR TRANSFERRED

A	11152	RELEASED FOR PRODUCTION	1/05/01	CJB
REV.	ECN No.	DESCRIPTION	DATE	CHKD